



1300W SDS MAX DEMOLITION BREAKER HAMMER

MODEL NO: **DHB1300**

Thank you for purchasing a Sealey product. Manufactured to a high standard, this product will, if used according to these instructions, and properly maintained, give you years of trouble free performance.

IMPORTANT: PLEASE READ THESE INSTRUCTIONS CAREFULLY. NOTE THE SAFE OPERATIONAL REQUIREMENTS, WARNINGS & CAUTIONS. USE THE PRODUCT CORRECTLY AND WITH CARE FOR THE PURPOSE FOR WHICH IT IS INTENDED. FAILURE TO DO SO MAY CAUSE DAMAGE AND/OR PERSONAL INJURY AND WILL INVALIDATE THE WARRANTY. KEEP THESE INSTRUCTIONS SAFE FOR FUTURE USE.



Refer to instructions



Wear eye protection



Wear protective gloves



Wear ear protection



WARNING! When using equipment, a few safety precautions must be observed to avoid injuries and damage.

Please read the complete operating manual with due care. Keep this manual in a safe place, so that the information is available at all times. If you give the equipment to any other person, give them these operating instructions as well. We accept no liability for damage or accidents which arise due to non-observance of these instructions and the safety information.

1. SAFETY

1.1. ELECTRICAL SAFETY

- ❑ **WARNING!** It is the user's responsibility to check the following:
Check all electrical equipment and appliances to ensure that they are safe before using. Inspect power supply leads, plugs and all electrical connections for wear and damage. Sealey recommend that an RCD (Residual Current Device) is used with all electrical products. You may obtain an RCD by contacting your local Sealey stockist.
If the hammer is used in the course of business duties, it must be maintained in a safe condition and routinely PAT (Portable Appliance Test) tested.

Electrical safety information, it is important that the following information is read and understood.

- 1.1.1. Ensure that the insulation on all cables and on the appliance is safe before connecting it to the power supply.
- 1.1.2. Regularly inspect power supply cables and plugs for wear or damage and check all connections to ensure that they are secure.


IMPORTANT: Ensure that the voltage rating on the appliance suits the power supply to be used and that the plug is fitted with the correct fuse - see fuse rating in these instructions.

- × **DO NOT** pull or carry the appliance by the power cable.
- × **DO NOT** pull the plug from the socket by the cable. Remove the plug from the socket by maintaining a firm grip on the plug.
- × **DO NOT** use worn or damaged cables, plugs or connectors. Ensure that any faulty item is repaired or replaced immediately by a qualified electrician.

- 1.1.3. This product is fitted with a BS1363/A 13 Amp 3 pin plug.

If the cable or plug is damaged during use, switch the electricity supply and remove from use.

Replace a damaged plug with a BS1363/A 13 Amp 3 pin plug. If in doubt contact a qualified electrician.

Class II products are wired with live (brown) and neutral (blue) only and are marked with the Class II symbol; 

A) Connect the BROWN live wire to the live terminal 'L'.

B) Connect the BLUE neutral wire to the neutral terminal 'N'.

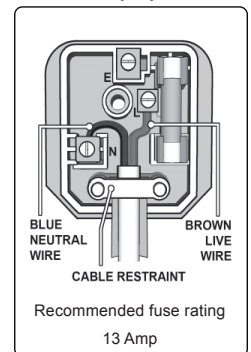
C) After wiring, check that there are no bare wires and ensure that all wires have been correctly connected.

Ensure that the cable outer sheath extends inside the cable restraint and that the restraint is tight.

- × **DO NOT** connect either wire to the earth terminal.
Sealey recommend that repairs are carried out by a qualified electrician.

1.2. GENERAL SAFETY

- ✓ Disconnect hammer from the mains power before changing accessories, servicing or performing any maintenance.
- ✓ Maintain hammer in good condition. Check moving parts and alignment and keep chisels in good, sharp condition. If necessary use an authorised service agent.
- ✓ Replace or repair damaged parts. *Use recommended parts only. Unauthorised parts may be dangerous and will invalidate the warranty.*
- ✓ Wear approved safety eye protection with side shields, ear defenders, safety shoes, heavy duty gloves and a dust mask.
- ✓ Remove ill fitting clothing. Remove ties, watches, rings, other loose jewellery and contain long hair.
- ✓ Use hammer in an adequate working area for its function, keep area clean, tidy and free from unrelated materials, ensure adequate lighting.
- ✓ Prevent body contact with grounded surfaces to avoid electric shock i.e. pipes, radiators, ranges, refrigerators etc.
- ✓ Evaluate your working area before using the hammer i.e. ceiling, floors and enclosures may contain hidden electrical wires or water piping.
- ✓ Maintain correct balance and footing.
- × **DO NOT** over-reach and ensure the floor is not slippery and wear non skid safety shoes.
- ✓ The supplementary handle grip should always be attached for use. **DO NOT** attempt to operate this tool with one hand.
- ✓ Keep children and unauthorised persons away from the working area.
- × **DO NOT** hold unsecured work in your hand.
- ✓ Avoid unintentional starting and ensure the lock on button is disengaged before use.
- × **DO NOT** force the hammer to achieve a task it was not designed to perform.
- × **DO NOT** operate hammer where there are flammable liquids or gasses.
- × **DO NOT** carry the hammer with your finger on the power switch, or carry by the power cord, or leave the hammer running whilst unattended.
- ✓ When not in use switch hammer off, remove plug from power supply, clean the hammer and store in safe, dry, child proof area.
- × **DO NOT** get the hammer wet or use in damp or wet locations.
- × **DO NOT** operate the hammer if any parts are missing or the hammer is damaged as this may cause failure and/or possible personal injury.
- × **DO NOT** operate the hammer when you are tired, under the influence of alcohol, drugs or intoxicating medication.
- ✓ Limit the exposure time by taking frequent rest periods. Vibration caused by hammer action may be harmful to your hands and arms.



2. INTRODUCTION

Powerful demolition breaker hammer with SDS MAX chuck. Vibration reducing shock absorbers built into body. Variable speed trigger. 360° Auxiliary handle. Supplied in a case with pin and cold chisels.

3. SPECIFICATION

Model No: **DHB1300**
Chuck Type: SDS-Max
Electrical Class: Class II
Electrical Plug Type: 3-Pin BS
Impact Energy: 20J
Impact Rate: 4600bpm
Vibration: 18.42m/s²
Uncertainty: 1.5m/s²
Noise Power: 105dB(A)
Noise Pressure: 98dB(A)

4. OPERATION

- **WARNING!** Disconnect hammer from the mains power before changing accessories, servicing or performing any maintenance.

IMPORTANT: This machine is designed for heavy duty demolition and chiselling work using the appropriate chisel.

- ▲ **DANGER!** Check the drilling point for concealed electrical cables, gas and water pipes using a cable/pipe detector.

4.1. ADJUSTABLE HANDLE

- 4.1.1. To position the adjustable handle (fig.1.4), unscrew the adjusting knob (fig.1.6) and rotate the handle to the preferred position, tighten the knob fully.

IMPORTANT: This tool must always be used with the adjustable handle secured in place and held with both hands.

- ▲ **DANGER:** The machine must only be held using the two handles. Otherwise the user may suffer an electric shock if they chisel into cables.

4.2. INSERTING THE TOOL

- 4.2.1. Clean the chisel before fitting it, apply a thin coating of grease to the tool shaft.
- 4.2.2. Pull back the tool chuck (fig.2.1).
- 4.2.3. Insert the tool into the tool mounting (fig.2) and push it in as far as possible.
- 4.2.4. Then release the tool chuck (fig.2).
- 4.2.5. Check its locked in by pulling the tool.

4.3. REMOVING THE TOOL

- 4.3.1. To remove the tool, reverse process 4.2.

4.4. SWITCHING ON AND OFF

- 4.4.1. To switch ON: press the trigger switch and hold on (fig.1.2). To switch OFF: release the trigger switch (fig.1.2).
- 4.4.2. Press the trigger switch and engage the lock for continual use (fig.1.3). Press the trigger switch again to release the trigger lock.

NOTE: You will only achieve good results if you use sharp chisels. You should therefore sharpen the chisels promptly to ensure that they produce good results and provide a long service life.

IMPORTANT: You only require slight contact pressure for chiselling. Excessive contact pressure will place an unnecessary strain on the motor. Check the chisels at regular intervals. Sharpen or replace blunt chisels.



WARNING! The vibration value changes according to the area of application of the electric tool and may exceed the specified value in exceptional circumstances.

5. MAINTENANCE

- **WARNING!** Disconnect hammer from the mains power before changing accessories, servicing or performing any maintenance.

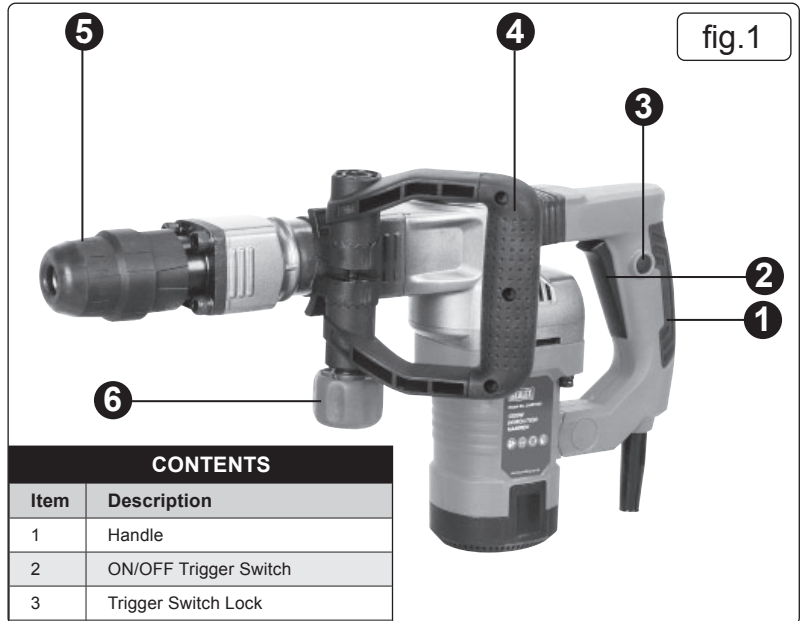
5.1. CLEANING

- 5.1.1. Keep all safety devices, air vents and the motor housing free of dirt and dust as far as possible.
- 5.1.2. Wipe the equipment with a clean cloth or blow it with compressed air at low pressure, wear appropriate Personal Protective Equipment.
- 5.1.3. It is a recommendation that the device is cleaned, immediately after every use.
- 5.1.4. Clean the equipment regularly with a moist cloth and some soft soap. **DO NOT** use cleaning agents or solvents; these could attack the plastic parts of the equipment.

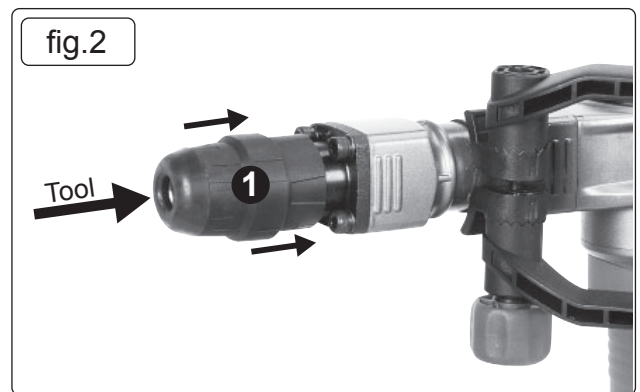
IMPORTANT: Ensure that no water can seep into the device.

5.2. CARBON BRUSHES

- 5.2.1. In case of excessive sparking, have the carbon brushes checked only by a qualified electrician.
- IMPORTANT:** The carbon brushes should not be replaced by anyone but a qualified electrician.



CONTENTS	
Item	Description
1	Handle
2	ON/OFF Trigger Switch
3	Trigger Switch Lock
4	Adjustable Handle
5	Tool Chuck
6	Adjustable Handle Knob



WARNING! – Risk of Hand Arm Vibration Injury.

This tool may cause Hand Arm Vibration Syndrome if its use is not managed adequately.

This tool is subject to the vibration testing section of the Machinery Directive 2006/42/EC.

This tool is to be operated in accordance with these instructions.

Measured vibration emission value (a): 18.42m/s²

Uncertainty value (k): 1.5m/s²

Please note that the application of the tool to a sole specialist task may produce a different average vibration emission. We recommend that a specific evaluation of the vibration emission is conducted prior to commencing with a specialist task.

A health and safety assessment by the user (or employer) will need to be carried out to determine the suitable duration of use for each tool.

NB: Stated Vibration Emission values are type-test values and are intended to be typical.

Whilst in use, the actual value will vary considerably from and depend on many factors.

Such factors include; the operator, the task and the inserted tool or consumable.

NB: ensure that the length of leader hoses is sufficient to allow unrestricted use, as this also helps to reduce vibration.

The state of maintenance of the tool itself is also an important factor, a poorly maintained tool will also increase the risk of Hand Arm Vibration Syndrome.

Health surveillance.

We recommend a programme of health surveillance to detect early symptoms of vibration injury so that management procedures can be modified accordingly.

Personal protective equipment.

We are not aware of any personal protective equipment (PPE) that provides protection against vibration injury that may result from the uncontrolled use of this tool. We recommend a sufficient supply of clothing (including gloves) to enable the operator to remain warm and dry and maintain good blood circulation in fingers etc. Please note that the most effective protection is prevention, please refer to the Correct Use and Maintenance section in these instructions. Guidance relating to the management of hand arm vibration can be found on the HSE website www.hse.gov.uk - Hand-Arm Vibration at Work.



ENVIRONMENT PROTECTION

Recycle unwanted materials instead of disposing of them as waste. All tools, accessories and packaging should be sorted, taken to a recycling centre and disposed of in a manner which is compatible with the environment. When the product becomes completely unserviceable and requires disposal, drain any fluids (if applicable) into approved containers and dispose of the product and fluids according to local regulations.



WEEE REGULATIONS

Dispose of this product at the end of its working life in compliance with the EU Directive on Waste Electrical and Electronic Equipment (WEEE). When the product is no longer required, it must be disposed of in an environmentally protective way. Contact your local solid waste authority for recycling information.

Note: It is our policy to continually improve products and as such we reserve the right to alter data, specifications and component parts without prior notice.

Important: No Liability is accepted for incorrect use of this product.

Warranty: Guarantee is 12 months from purchase date, proof of which is required for any claim.

Sealey Group, Kempson Way, Suffolk Business Park, Bury St Edmunds, Suffolk. IP32 7AR



01284 757500



01284 703534



sales@sealey.co.uk



www.sealey.co.uk